

KOOLAIR



Linear grille with
concealed frame



DF-47-NARROW-LT

Installation
instructions

www.koolair.com

**Linear Nozzle
DF-47-NARROW-LT
Mounting instructions**



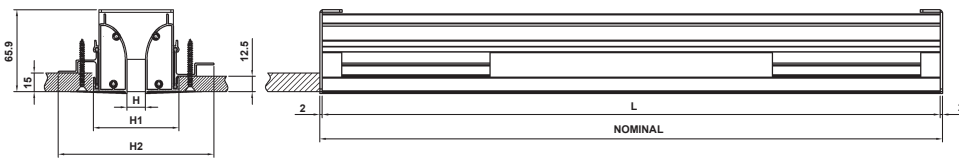
General information

Model DF-47-NARROW-LT

Description

KOOLAIR hidden high induction slot diffuser, model DF-47-NARROW-LT, for installation in suspended drywall ceilings or suspended ceiling grids.

Characterised by the absence of visible lines, it is practically imperceptible and suitable for continuous linear arrangement while having a very pleasing aesthetic appearance.



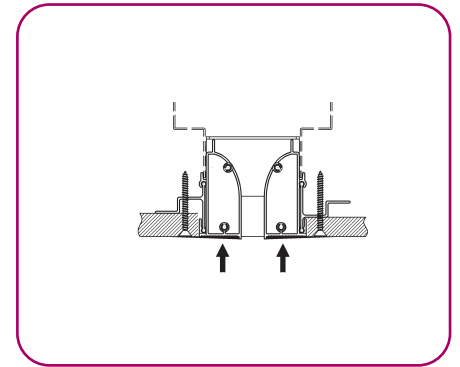
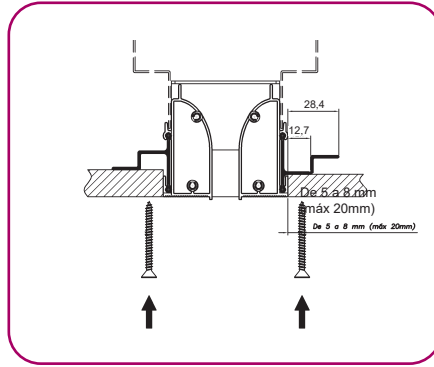
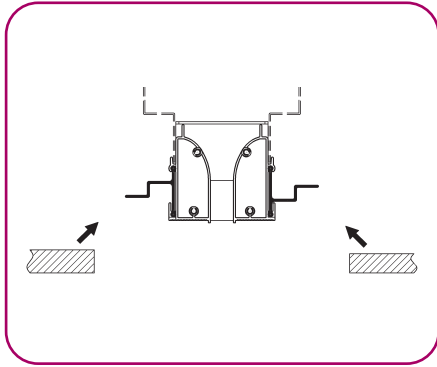
H	H1	H2
15	69,2	126
20	74,2	131
30	84,2	141
40	94,2	151
50	104,2	161

NOMINAL	L
500	500
600	600
700	700
800	800
900	900
1000	1000
1100	1100
1200	1200
1300	1300
1400	1400
1500	1500
1600	1600
1700	1700
1800	1800
1900	1900
2000	2000

Mounting instructions

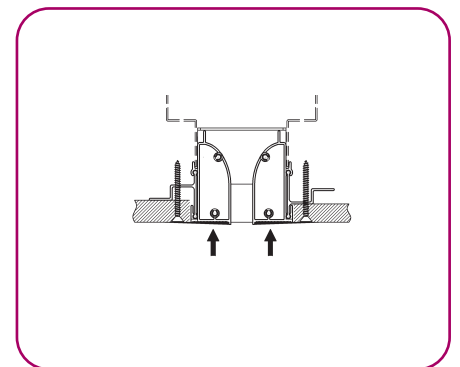
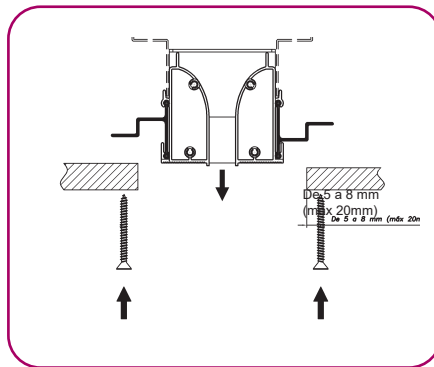
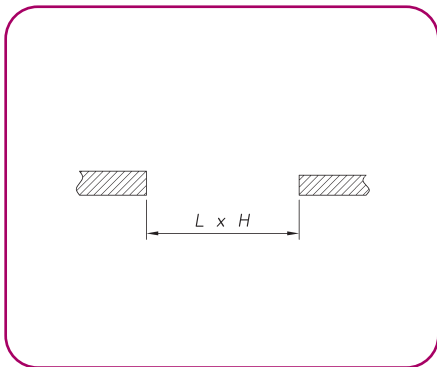
Model DF-47-NARROW-LT

OPEN CEILING



- 1- Fasten the diffuser/plenum using the fastening plates.
- 2- Close the selected surface flush around the bottom of the plenum.
- 3- Screw.
- 4- Plaster the underside and finish with fine paste.

CLOSED CEILING

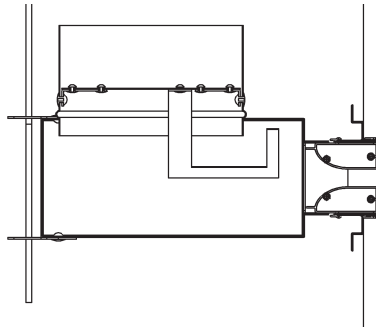


- 1- Create an opening (L x H) in the chosen surface.
- 2- Insert the diffuser (with or without plenum) and screw.
- 3- Plaster the underside and finish with fine paste.

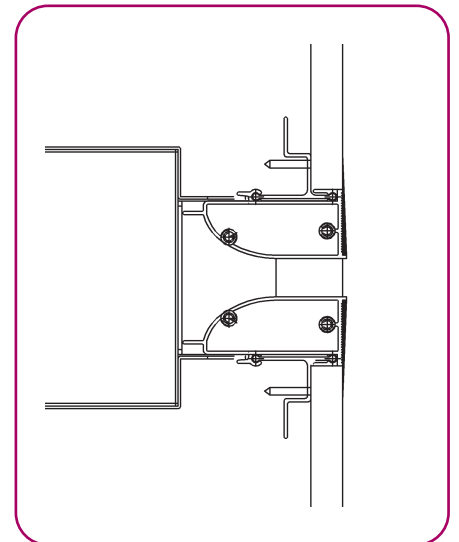
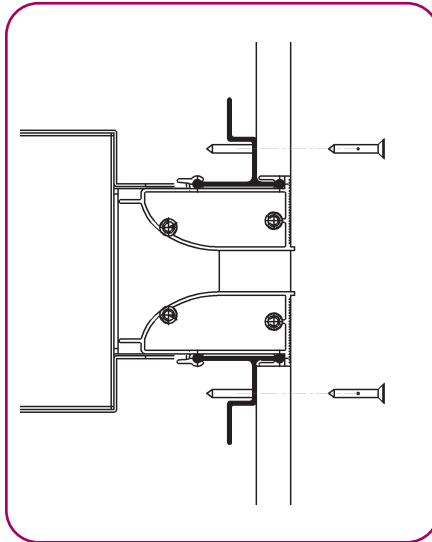
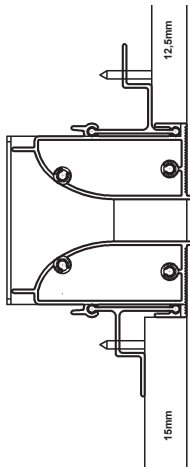
Mounting instructions

Model DF-47-NARROW-LT

WALL MOUNTED



- 1 - Mark the position of the diffuser on the wall and cut plasterboard to the desired height.
- 2 - Support diffuser as shown in figure. If a plenum is used, fasten it using threaded drop rods and lugs at the rear of the plenum.

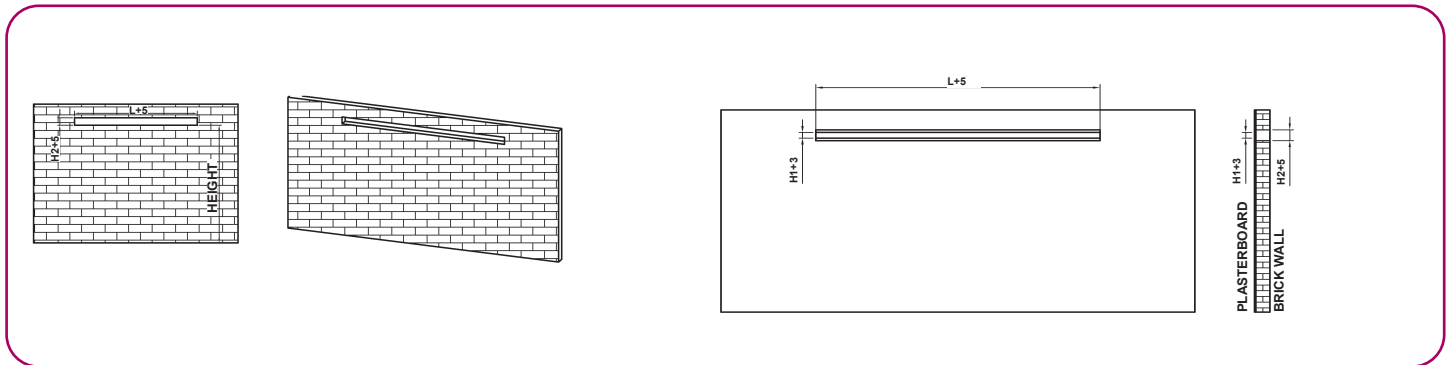


- 3 - The mounting/line formation frame allows the diffuser to be supported in 12.5 and 15 mm thickness plasterboard.
- 4 - Gently support the diffuser and screw the plasterboard to the mounting frame.
- 5 - Tape the lower surface of the diffuser for subsequent filling with a thick paste. Finish with a fine paste.

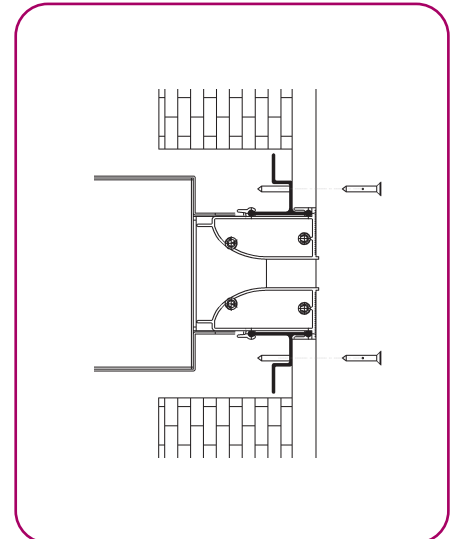
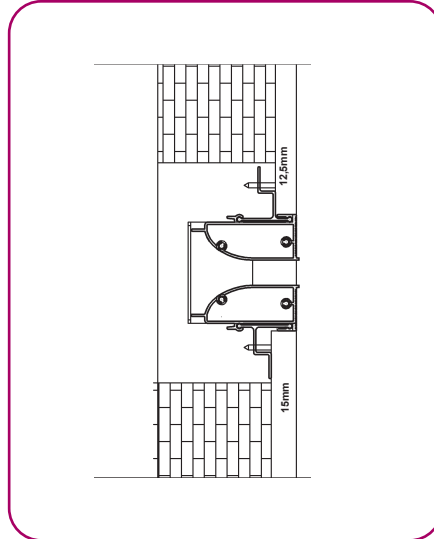
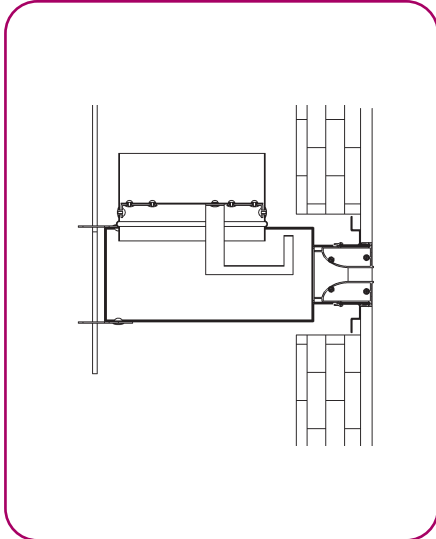
Mounting instructions

Model DF-47-NARROW-LT

IN BRICK WALL



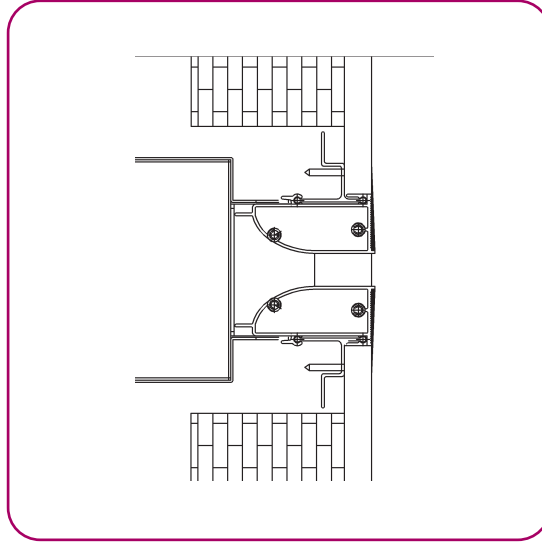
- 1 - Mark the diffuser wall installation height and create opening in the brick wall with dimensions $(L+5) \times (H2+5)$.
- 2 - Install plasterboard sheet with opening. Once installed, use the hole in the brick wall as reference to make a hole in the plasterboard with dimensions $(L+5) \times (H1+3)$ centred on the hole in the brick wall.



- 3 - Support the diffuser on the plasterboard as shown in the figure. If a plenum is used, fasten it using threaded drop rods and lugs at the rear of the plenum.
- 4 - The mounting/line formation frame allows the diffuser to be supported in 12.5 and 15 mm thickness plasterboard.
- 5 - Gently support the diffuser and screw the plasterboard to the mounting frame.

Mounting instructions

Model DF-47-NARROW-LT



- 6 - Tape the lower surface of the diffuser for subsequent filling with a thick paste. Finish with a fine paste.

THIS CATALOG IS INTELLECTUAL PROPERTY.

The partial or total reproduction of its contents is forbidden without the express and authoritative authorisation of KOOLAIR, S.L.

KOOLAIR

KOOLAIR, S.L. (Spain)

Calle Urano, 26

Polig. Ind. nº 2 – La Fuensanta

28936 Móstoles (MADRID)

Tel: +34 91 645 00 33

Fax: +34 91 645 69 62

e-mail comercial: comercial@koolair.com

e-mail Koolair: info@koolair.com

www.koolair.com

Koolair, S.L. reserves the right to change publisher datas and drawings at any time without prior notice written.